

Healthy, Happy Pets and their Habitats

Main Welfare aims:

To teach that all pets have different habitats and different needs to be healthy and happy.

KS1

Science:

Pupils should:

- Identify that most living things live in habitats to which they are suited and describe how different habitats provide for the basic needs of different kinds of animals and plants, and how they depend on each other
- Identify and name a variety of plants and animals in their habitats, including microhabitats
- Find out about and describe the basic needs of animals, including humans, for survival (water, food and air)

Technology:

Pupils should:

- Design purposeful, functional, appealing products for themselves and other users based on design criteria
- Select from and use a range of tools and equipment to perform practical tasks [for example, cutting, shaping, joining and finishing]

Resources needed:

- Scissors
- Glue
- A3 paper
- Worksheet provided

Starter:

Discuss with children how animals all live in different places because they all require different things. Ask the group what healthy and happy means and why this is important for our pets. Explain that we are going to be thinking about how we can keep pets healthy and happy in their homes.

Introduce the word habitat and see if they can give you examples of some (doesn't matter if they are wildlife habitats). Explain that pets need somewhere to live and that every pet will require somewhere different to live depending on their needs.

Using a dog as an example; ask the children to think about where dogs like to sleep and what other things they will need to be healthy and happy. Explain that all pets need 5 main things to keep them healthy and happy and where they live is a part of this. N.B Draw upon the 5 welfare needs here but do not explain them explicitly.

The 5 welfare needs are:

- Need for a suitable environment
- Need for a suitable diet
- Need to exhibit normal behaviour patterns
- Need to be housed with, or apart, from other animals
- Need to be protected from pain, suffering, injury and disease

Watch the Chris Packham 5 welfare needs video that can be found on the Blue Cross YouTube channel > <https://www.youtube.com/watch?v=vaTEmeHXJxl>

Main:

- Using worksheet 1: Ask the children in pairs or in groups to cut out their habitat for their pet onto A3 paper (there is a choice of a hamster or rabbit). They could alternatively draw their own habitat from scratch and use the worksheet as a guide.
- They then need to cut out or draw the correct pet and put them in their habitat.
- The children will then need to cut out or draw the items that a pet will need to make sure they are healthy and happy in their habitat and stick them in their habitat. They can colour in the items and draw anything else they can think of that the pet might need as well (for example straw or hay).

Extension activity

Plenary:

In their groups, children will show the class the habitat they have made for their pet and explain why they have designed it this way.

Show them pictures of a hamster and rabbit cage and ask them to discuss if they are similar to the ones they designed. Talk about how the habitats are different and explain further that a dog and a cat would need different places to sleep and live (such as different beds and different toys) because they like different things.

Worksheet

Healthy, Happy Pets and their Habitats.



All animals need different things to make sure they have healthy and happy lives.

You are going to design a perfect habitat for a hamster to live in.

Hamsters are pets that need to live in secure, clean and spacious cages.

Cut out the hamster cage template or draw a perfect cage for your hamster.

Now cut out the images or draw all of the things your hamster will need to be healthy and happy.

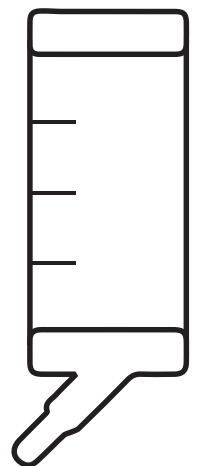
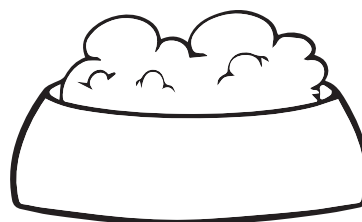
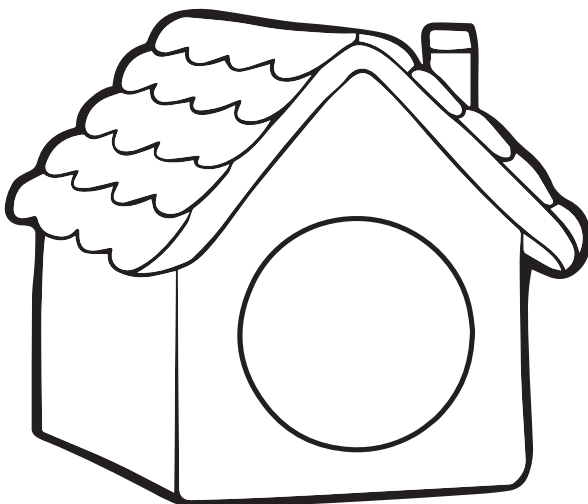
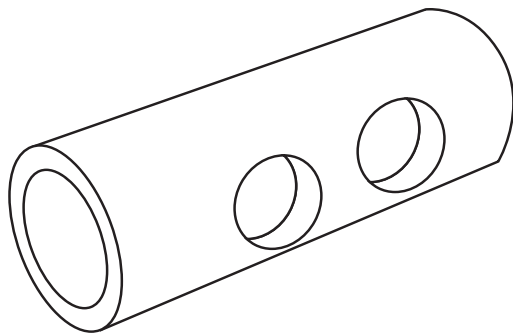
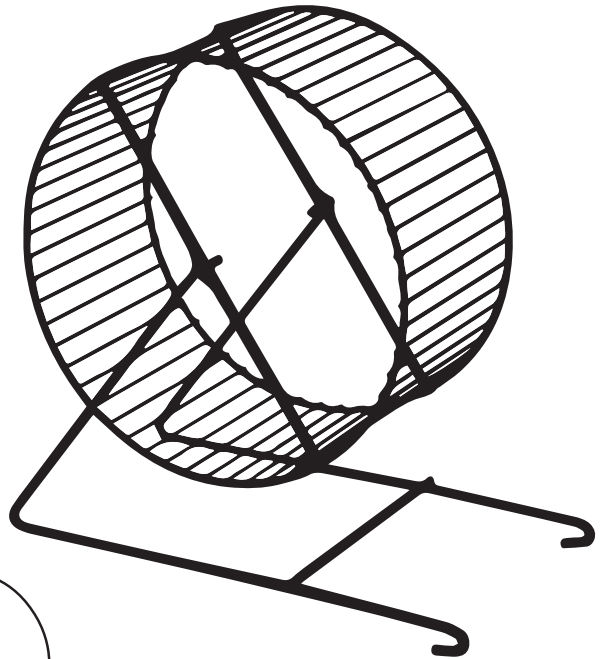
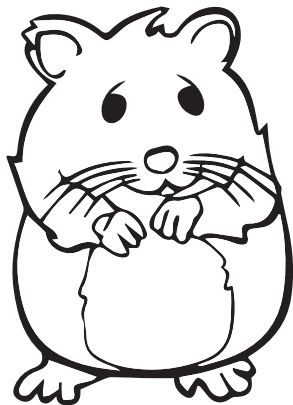
Before you start cutting and drawing think about what you need to include.

Think about the hamster's:

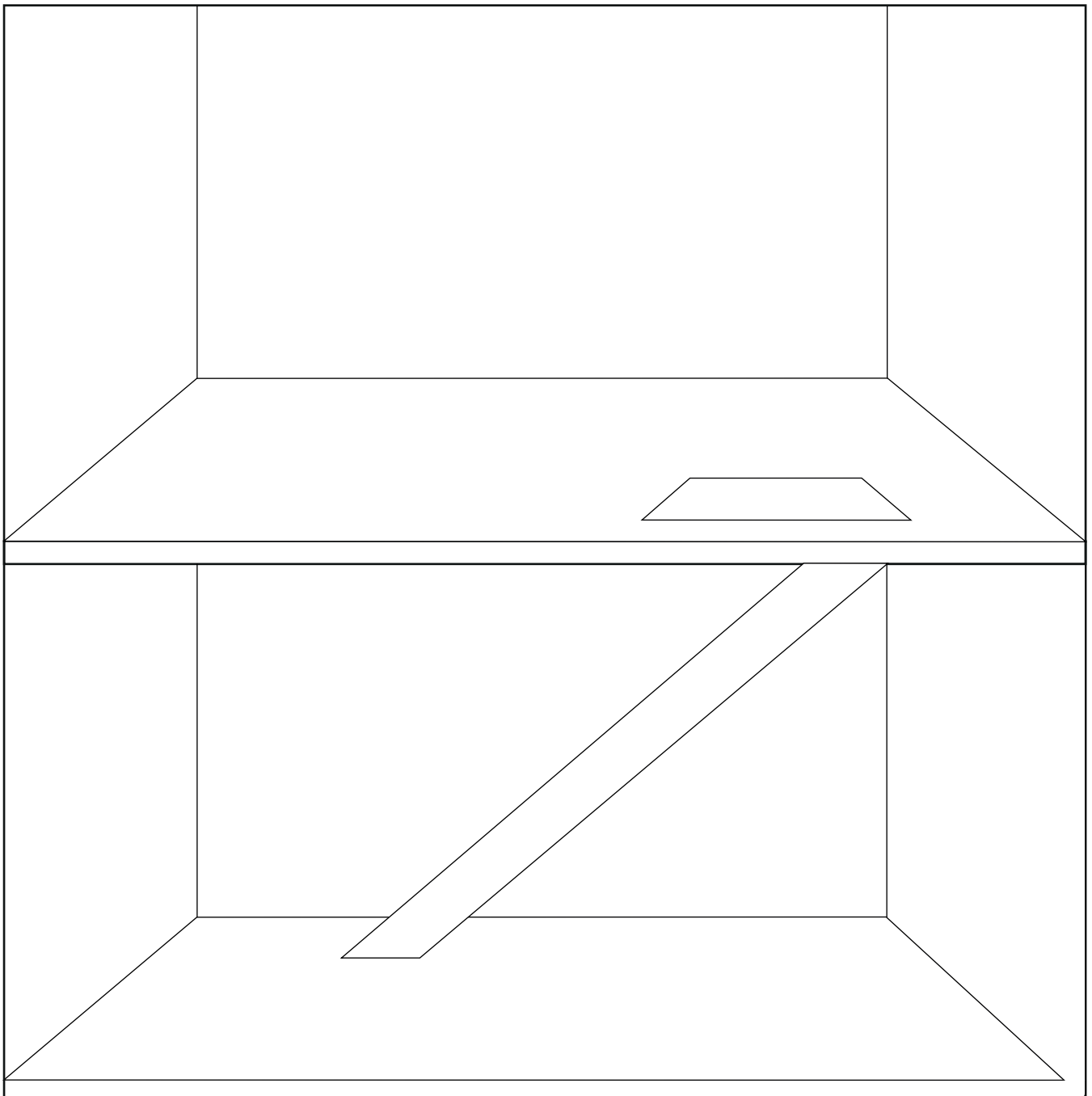
- Food bowls and water bottles
- Where they like to sleep
- What they like to sleep on
- What they like to do and how we stop them from getting bored (toys, exercise)
- How much space they need
- How we can keep them safe.

Our pets need food and water to live happily and healthily. Each type of pet will need the right type of food for them and the right amount. It is up to us as their owners to make sure we provide them with the food and water they need.

Hamster habitat templates



Hamster cage



Healthy, Happy Pets and their Habitats.

Healthy, Happy Pets and their Habitats.



All animals need different things to make sure they have healthy and happy lives.

You are going to design a perfect habitat for a rabbit to live in.

Rabbits are pets that need to live in secure and clean hutches with lots of space to move around. They also like to have a friend so make sure there you have two rabbits in your hutch.

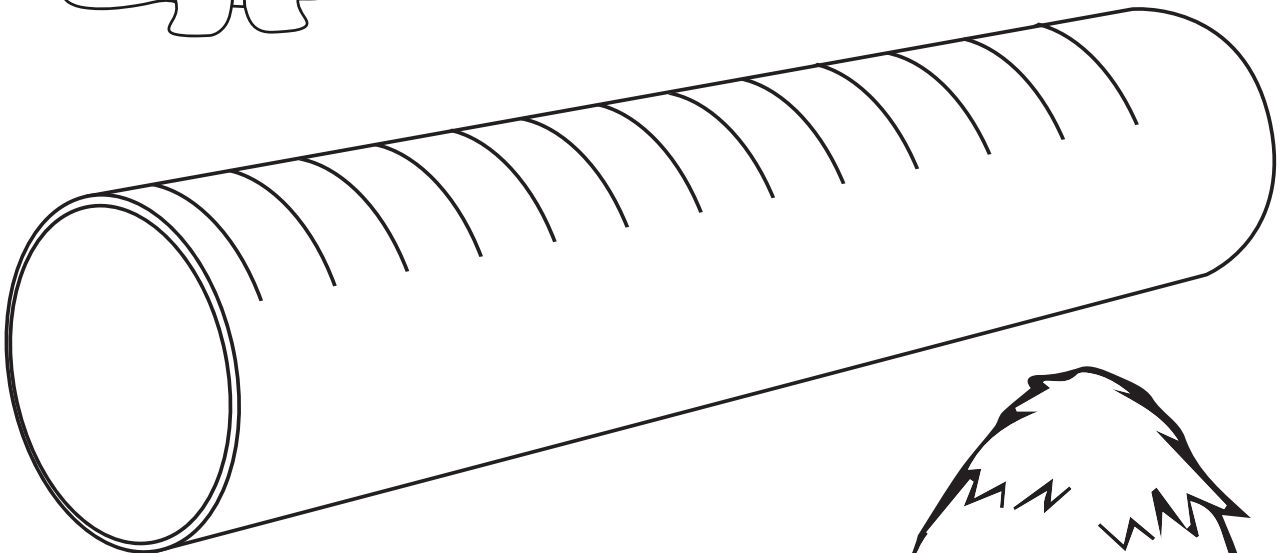
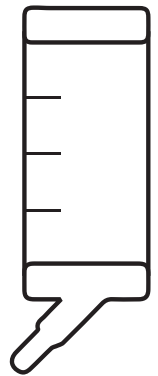
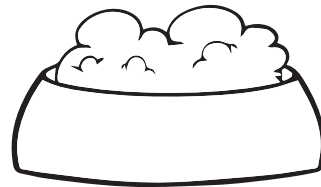
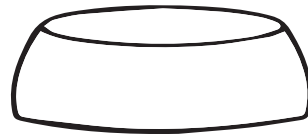
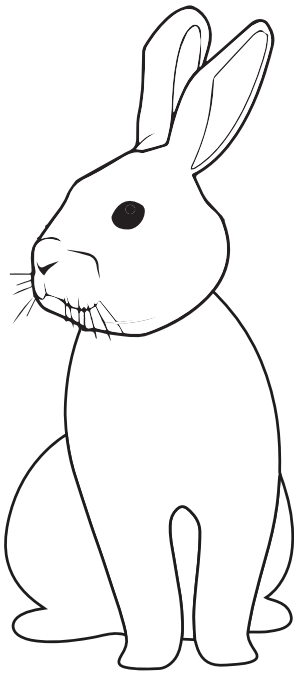
1. Cut out the rabbit hutch template or draw a perfect hutch for your rabbit.
2. Now draw all of the things your rabbit will need to be healthy and happy.

Before you start cutting and drawing think about what you need to include.

Think about the rabbits':

- Food bowls and big water bottles
- Where they like to sleep
- What they like to do and how we stop them from getting bored (toys, exercise)
- How much space they need
- How we can keep them safe

Rabbit habitat templates



Rabbit hutch

